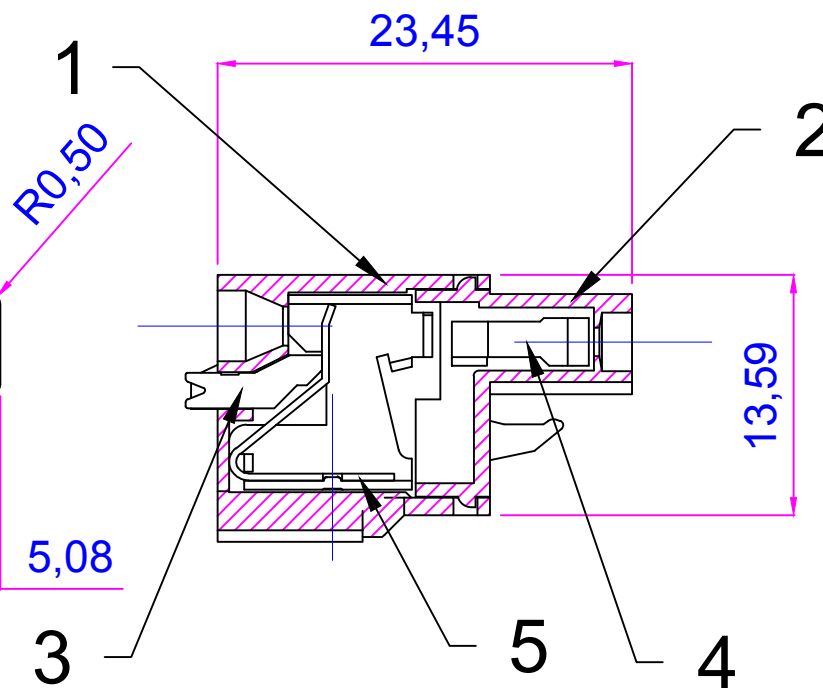
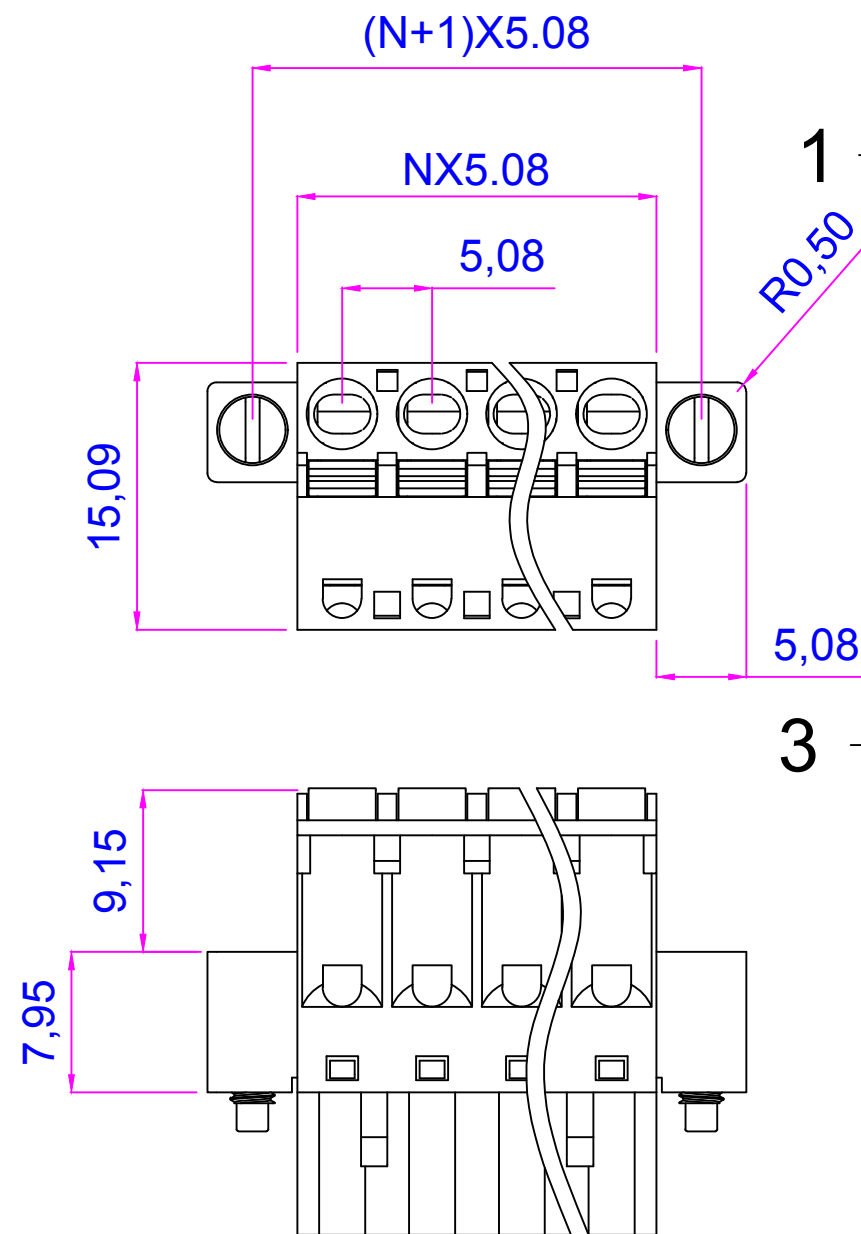


序号/RevNO	名称/Title	文件编号/FileNO
1	2EMGKDM-5.08 塑件1	
2	2EMGKDM-5.08 塑件2	
3	2EMGKDM-5.08 塑件3	
4	2EMGKDM-5.08夹子	
5	2EMGKDM-5.08弹片	



pitch range in mm		Nominal dimension range in mm					—	
	over 6	over 10		over 30	over 60	over 100	over 150	⤿
to	to	to	to	to	to	to	to	□
6	10	24	30	60	100	150		
± 0.10	± 0.15	± 0.25	± 0.20	± 0.30	± 0.50	± 0.7	± 1.0	0.05/10

Poles:2P/3P-24P  
 Pitch:5.08mm  
 Voltage Rating:300V  
 Current Rating:10A  
 Wire range:28-12AWG  
 Housing:PA66(UL 94V-0)  
 Contact:Phosphor bronze,Ni plated  
 Clips:stainless steel  
 Strip length:10mm

设计/Designed by.	绘图/Drawing by.	审核/Checked by.	批准/Approved by.	未注公差 General Tolerance	
					x' ± 2'
图名/Title	文件编号/FileNO	慈溪市美感电子接插件厂 Cixi Meigan Electric Appliance Socket Factory		.x ± 0.3	.x' ± 1'
2EMGKDM -5.08	页序/Sheet			.xx ± 0.15	.xx' ± 0.5'
备注/Remark	视图/PROJECTION			单位/Units:mm	

序号/RevNO	更改记录/Revision note	签名/Signature	日期/Date
8			
7			
6			

8

7

6

5

4

3

2

1

H

G

F

E

D

C

B

A